



FLIGHT CONTROL STORAGE RACK

P/N 3514

BUILT STRONG. BUILT TO PROTECT. BUILT IN THE USA.

5 FLIGHT CONTROL STORAGE LEVELS

Holds and organizes up to 5 flight controls safely and securely.

HEAVY DUTY STEEL FRAME

All welded construction for maximum strength and durability.

4" LOCKING CASTERS

Easy mobility with secure locking for stability.

FOAM COVERED SUPPORTS

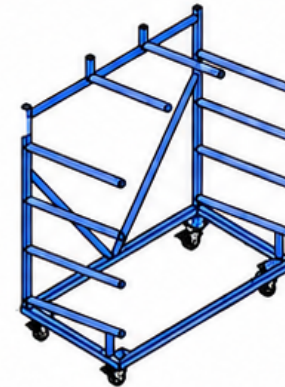
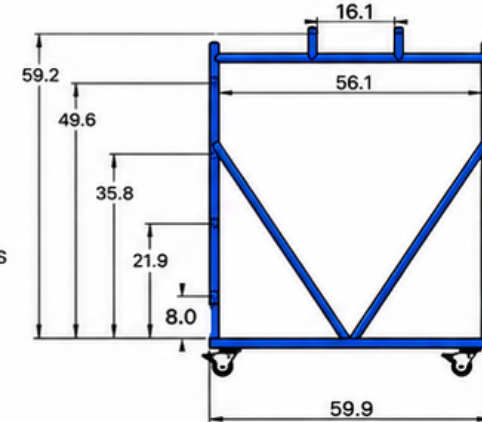
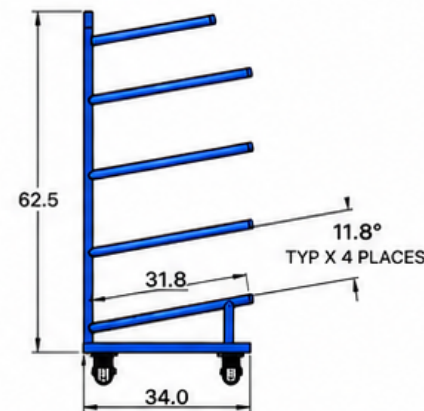
Insulated foam sleeves protect flight controls from damage.

AUTOMOTIVE PAINT FINISH

Finished with automotive quality paint in multiple colors of your choice.



ENGINEERED DIMENSIONS



SPECIFICATION	SIZE
Overall Height	62.5"
Overall Width	59.9"
Base Depth	34.0"
Shelf Length	31.8"
Shelf Angle	11.8°
Internal Width	56.1"
Shelf Heights (from base)	8.0", 21.9", 35.8", 49.6", 59.2"
Casters	4" Locking

AVAILABLE IN CUSTOM COLORS



BLUE RED YELLOW WHITE GRAY CUSTOM COLORS



425 MANUFACTURING, INC.

815-873-7066

sales@425fab.com

www.425fab.com

MADE IN

USA

BUILT TO LAST.
BUILT FOR YOU.